

Outside Air
Temperature (°F)

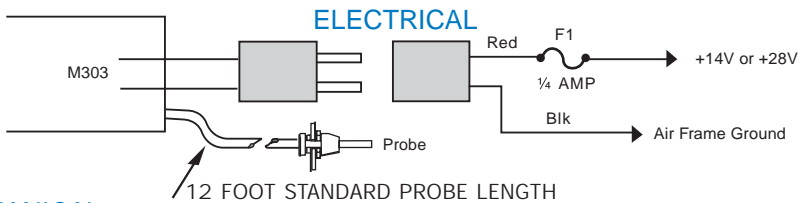
Outside Air
Temperature (°C)

Aircraft
Voltage

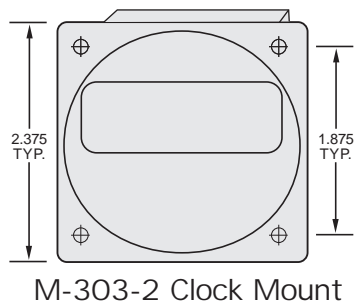
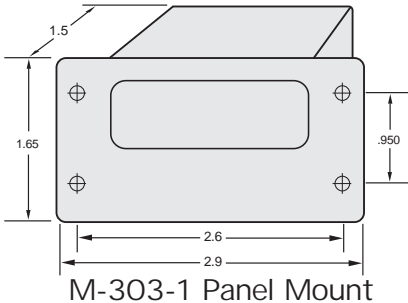
INSTALLATION

The 303 is available in two mounting styles: 303-1 as a small panel mount, and 303-2 as a standard 2-1/4 round mount.

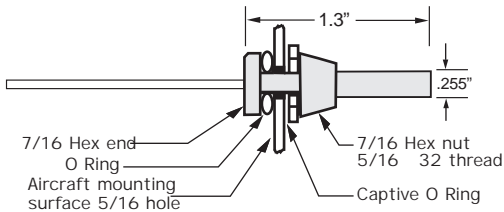
The instrument will operate on 14 or 28 volts and requires a maximum of .1 amps. The temperature sensor mounting should be in a place that would be free of exhaust gases or cowl flaps airflow. An ideal place is 2 feet out from the wing root on the bottom of the wing. The stainless steel probe is supplied with a 12ft shielded cable and all mounting hardware. Leads may be shortened or extended without affecting calibration.



MECHANICAL



12 FOOT STANDARD DIGITAL PROBE



SPECIFICATIONS

Temperature range: 40°C to +100°C

40°F to +212°F

Operating Temp.: 25°C to +60°C

Voltage range 10V to 32V - .2 volts Typ.

LED with automatic dimming

Input voltage: 14 or 28 volts

Input current: 100 M.A. Max

Weight: 5 oz.

Warranty: 1 year

VOLTAGE ALARM

Unit default alarm set to flash 11v or below

R_ARM & R_SELECT located on front board

Alarm off/1.5 ohm resistor on R_ARM

Alarm 20v or less/1.5 ohm resistor on R_SELECT



20v Alarm

