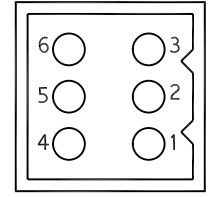


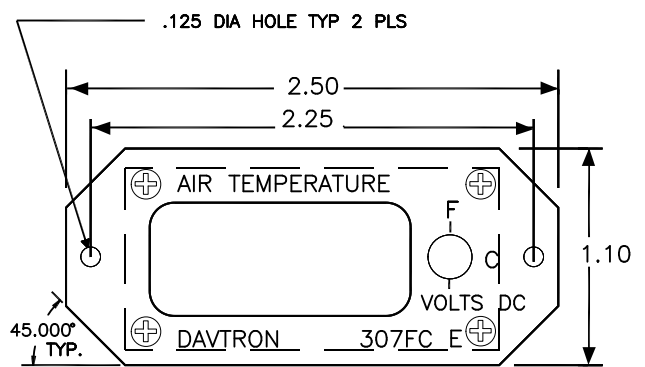
- DIGITAL PROBE PIN ASSIGNMENTS**
- PIN 1 GROUND
 - PIN 4 14 TO 28 VDC POWER INPUT
 - PIN 5 8 VDC DIGITAL PROBE (WHITE)
 - PIN 6 NOT USED
 - PIN 3 GROUND DIGITAL PROBE / TEFLON SHIELD (BLUE)
 - PIN 2 DATA DIGITAL PROBE (ORANGE)

MOLEX P/N 03-06-1062

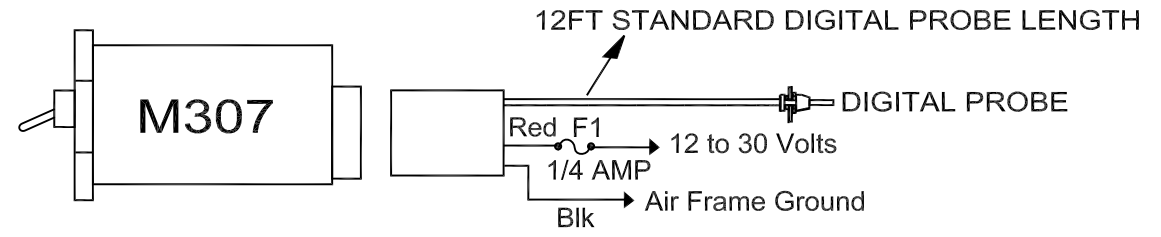



- ANALOG PROBE PIN ASSIGNMENTS**
- PIN 1 GROUND
 - PIN 4 14 TO 28 VDC POWER INPUT
 - PIN 5 8 VDC PROBE (RED)
 - PIN 6 SIGNAL PROBE (BLACK)
 - PIN 3
 - PIN 2

ELECTRICAL



FRONT VIEW



REVISIONS			 427 Hillcrest Way Redwood City, CA 94062	
NO.	DATE	BY	M307FCE MECHANICAL ELECTRICAL	
1				
2			Drawn by: KDT	Date: 06/01/10
3			Approved by: KET	Sheet: 1
4			Size: A	Scale: NONE
5			Drawing Number: 307FCE-206	